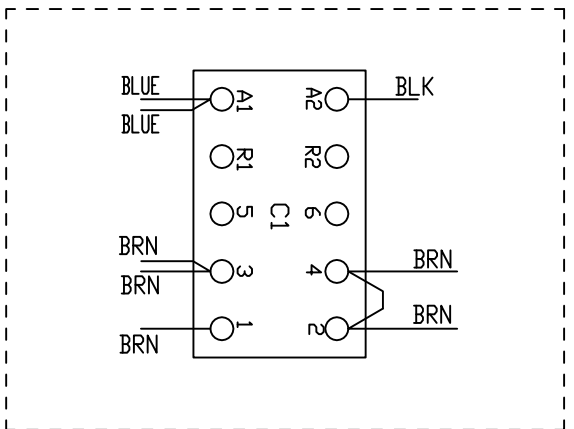
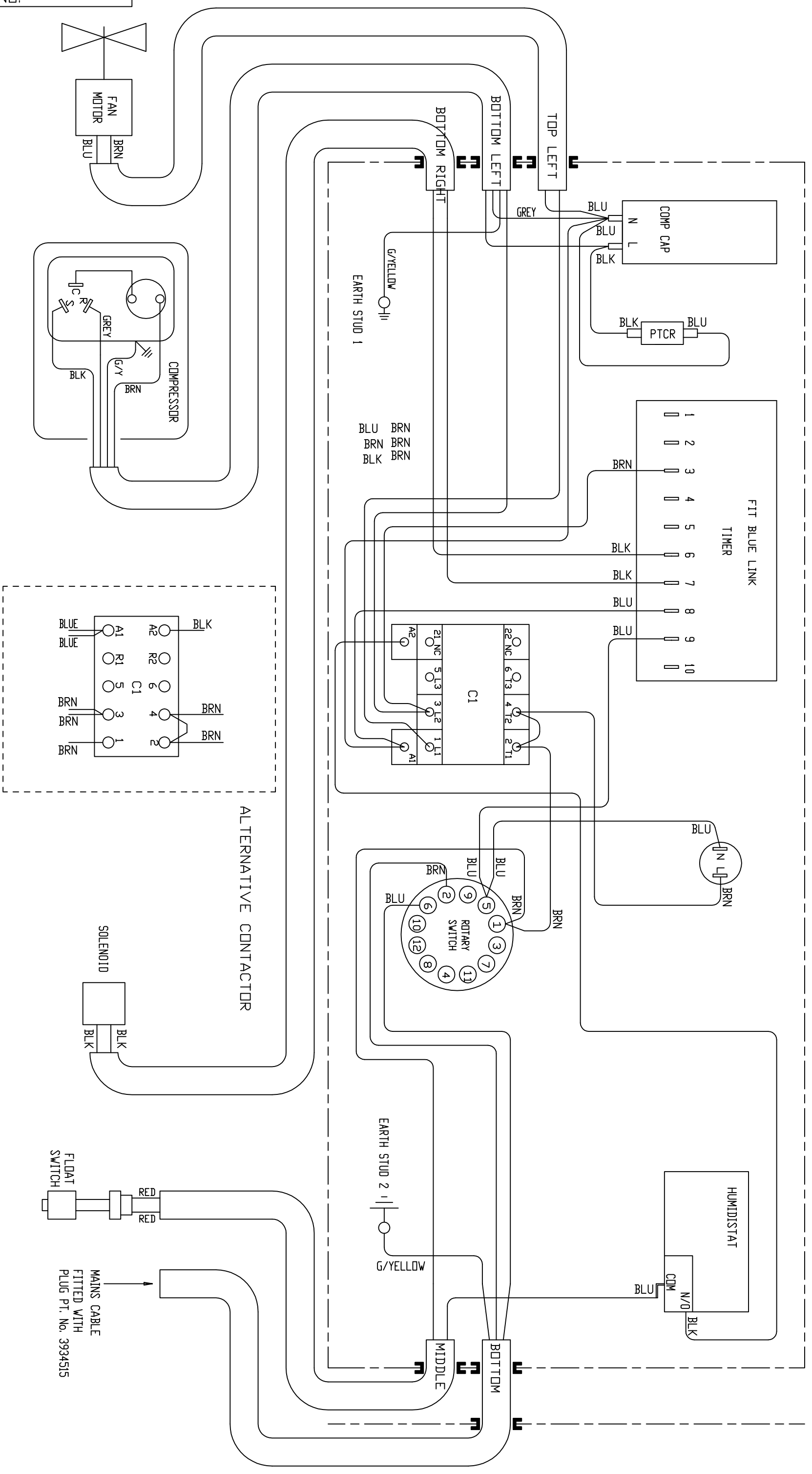


IF IN DOUBT ASK

3RD ANGLE PROJECTION



DRG. NO. 5010184

INSPECTION PROCEDURE

ISS.	1	2	3	4	5	6
DATE	19/7/05	6/5/08	3/4/09	6/10/09	9/10/09	20/01/12
C/N	W/DA	W/DA	W/DA	W/DA	W/DA	W/DA

MATERIAL

FINISH

TOLERANCE UNLESS STATED

DIMENSIONS IN m.m.

Ebac Limited

WIRING DIAGRAM FOR CD100 MKII 110V

DRG. NO. 5010189

DRAWN: GELSBURY

CHECKED:

APPROVED:

SCALE:

SECURITY CLASSIFICATION