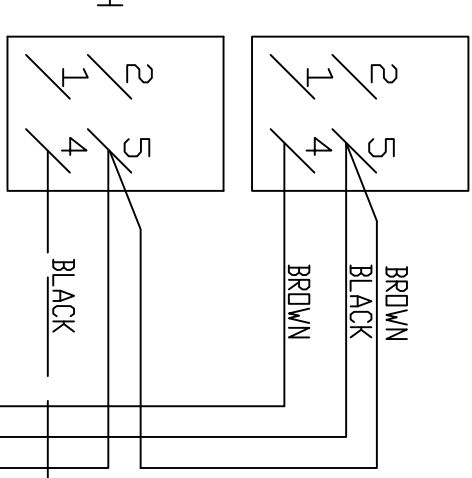
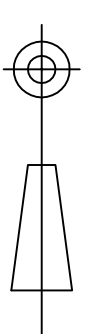


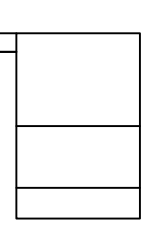
DN/OFF SWITCH



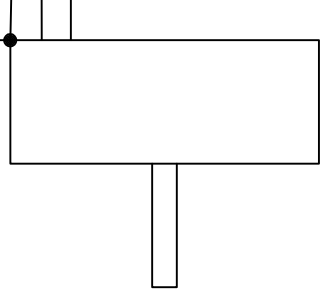
3RD ANGLE PROJECTION



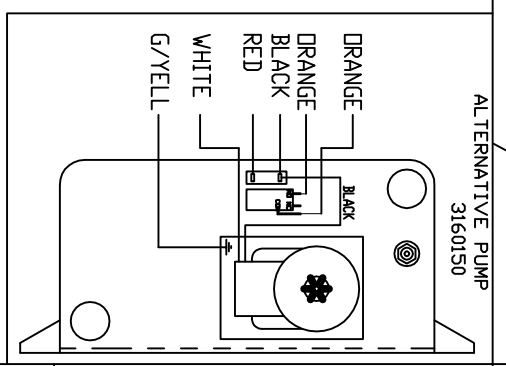
SOLENOID COIL



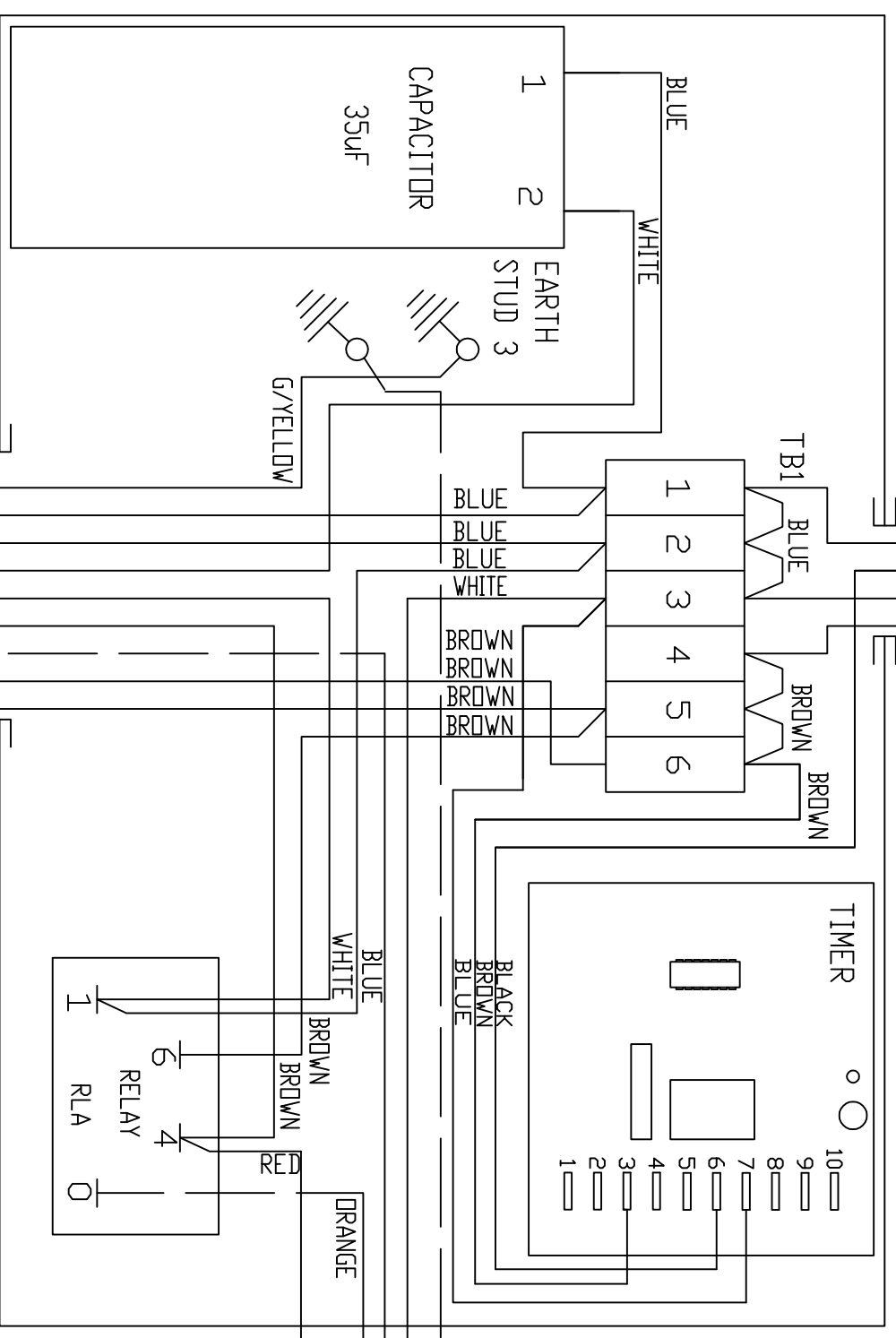
FAN MOTOR



ALTERNATIVE PUMP 3160150



ELECTRICAL PANEL



ROTARY COMPRESSOR

CONDENSATE PUMP

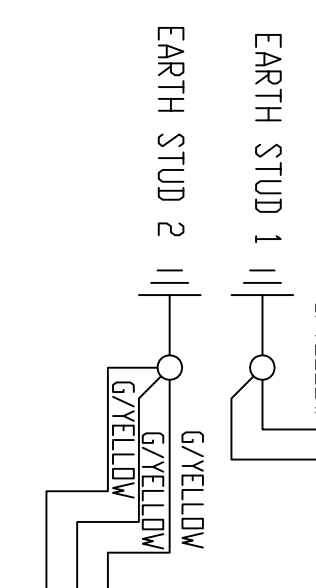
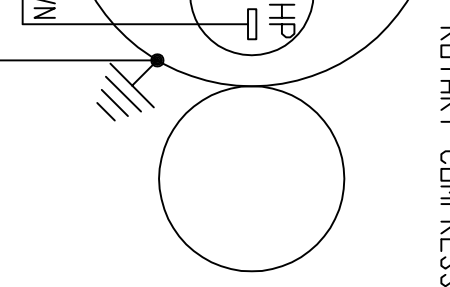
MAINS CABLE

HOUR METER

CAPACITOR 35uF

TIMER

RELAY RLA



DRAWN/R LILLY	ISS.	1	2	3	4	5	6	7	8	9	10	SECURITY CLASSIFICATION
	CHECKED	DATE	05.05.00	5/11/03	07/12/06	21/10/08	06/10/09	18/05/12	23/05/14	13/06/14	05/09/14	
APPROVED	C/N	MTD	CDM0012	WDA	WDA	WDA	WDA	WDA	WDA	WDA	WDA	TITLE
SCALE 3/4	MATERIAL	FINISH										
INSPECTION PROCEDURE	TOLERANCE UNLESS STATED											
DIMENSIONS IN m.m.											DRG.NO. 5010281	
WIRING DIAGRAM												
CD60 DEHUMIDIFIER											A 3	
Ekac Limited												
DRG.NO. 5010281												