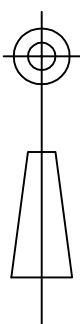
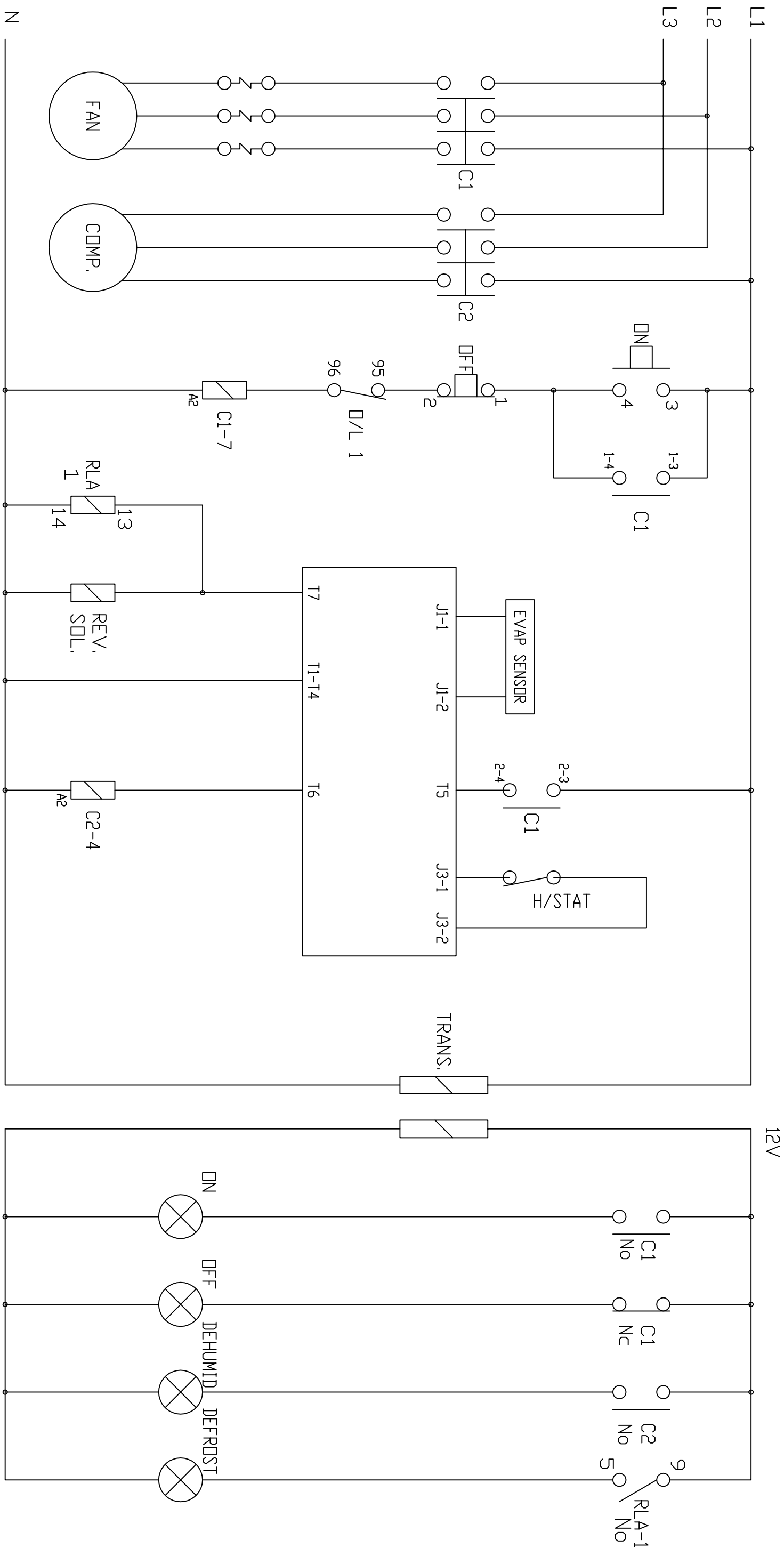



3RD ANGLE PROJECTION



DRG. NO. 5020103



DRAWN	P.D.THOMPSON	ISS.	1	2	3	4
CHECKED		DATE	14-05-87	17-06-87	22.9.87	12/1/10
APPROVED						
SCALE	N.T.S.	C/N		CS	S.Th.	W/DA
INSPECTION PROCEDURE		MATERIAL			FINISH	
					TOLERANCE UNLESS STATED	-----
					DIMENSIONS IN	m.m.

 **Ekac Limited**

TITLE
SCHEMATIC WIRING DIAGRAM FOR
CD425 WITH INTERNAL CONTROLS

SECURITY CLASSIFICATION	
DRG.NO.	5020103

A 3