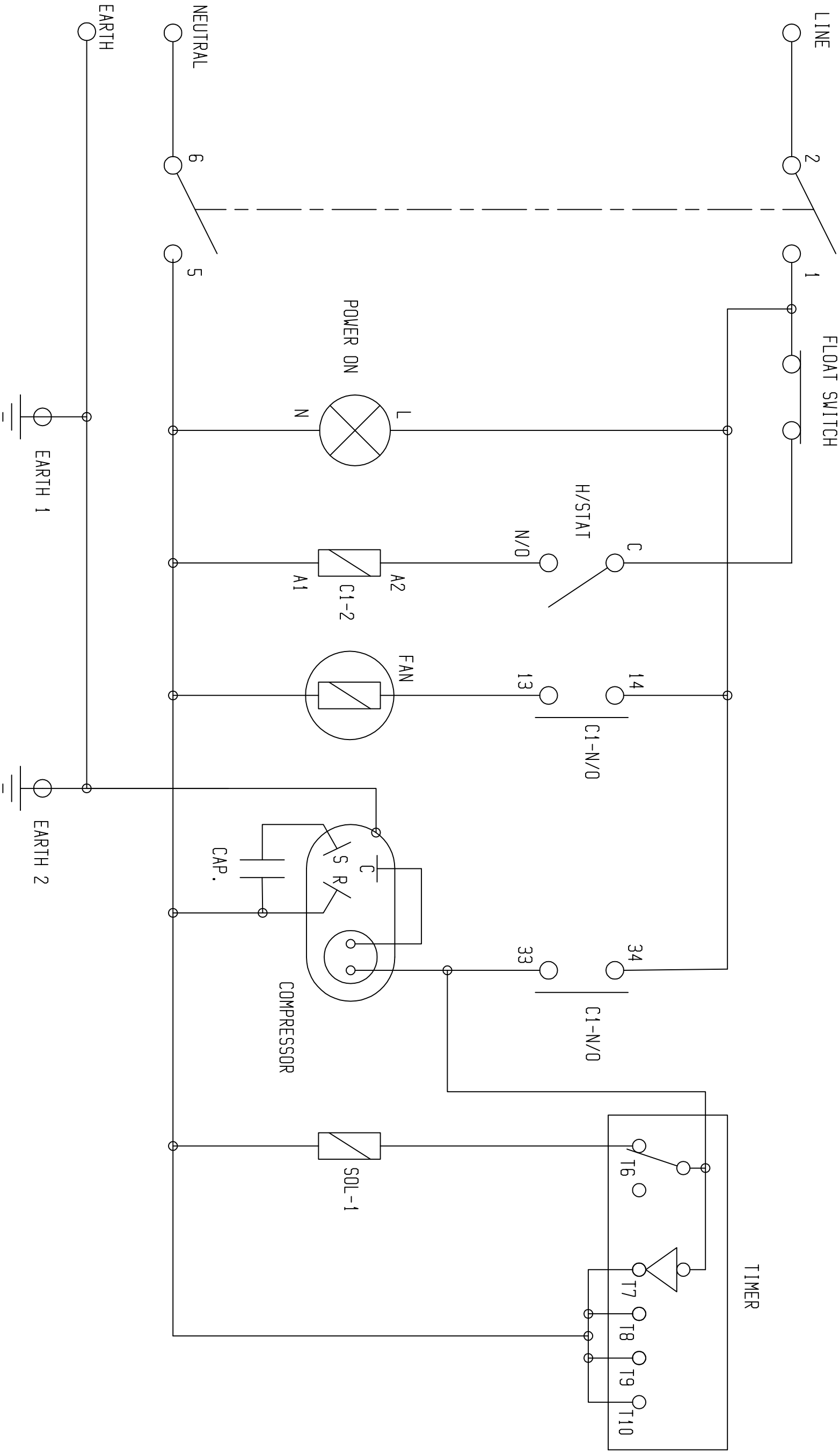
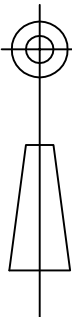


ROTARY SWITCH

3RD ANGLE PROJECTION



DRAWN: ELSBURY
CHECKED
APPROVED
SCALE
INSPECTION PROCEDURE

ISS. 5 6
DATE 06:06:90 02:05:91
C/N 1977

MATERIAL

FINISH

TOLERANCE UNLESS STATED
DIMENSIONS IN m.m.



Ekac Limited

SECURITY CLASSIFICATION

DRG. NO.

5020123

TITLE
WIRING SCHEMATIC FOR
CD100

A 3