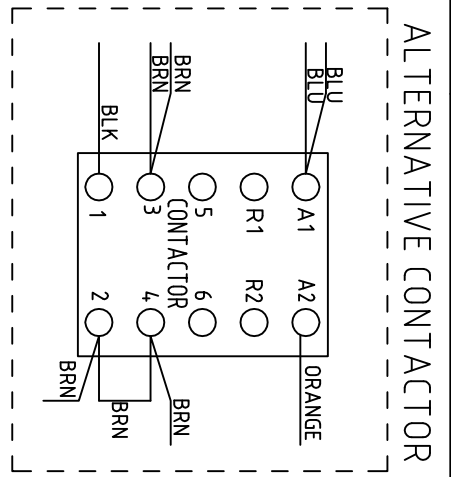
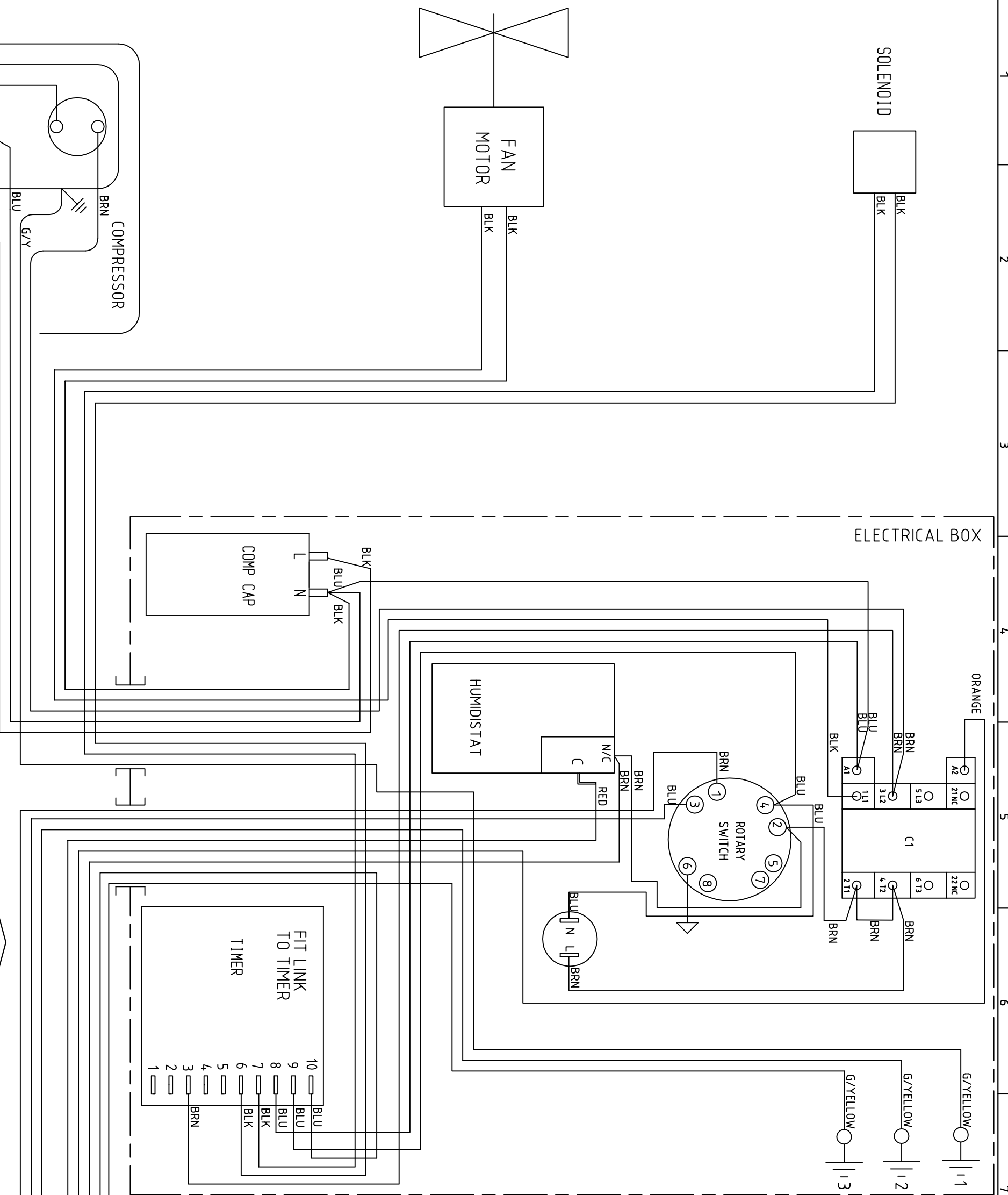


ISSUE	DATE	AMENDMENTS
1	27/01/05	ORIGINAL
2	05/10/07	PUMP SWITCH POSITION CHANGED - WDA
3	17/04/09	CONTACTOR CHANGED - WDA
4	27/04/12	HUMIDISTAT UPDATED - WDA



1993  
LIMITED  
BISHOP AUCKLAND  
ENGLAND

**TITLE**  
WIRING DIAGRAM FOR K100P 115V 60Hz

**MATERIAL**  
-----

**FINISH**  
-----

**3RD ANGLE PROJECTION**  
DO NOT SCALE  
IF IN DOUBT ASK

**DIMENSIONS IN m.m.**  
TOLERANCES UNLESS  
OTHERWISE STATED

0.0 ± 1  
0.00 ± 0.25  
ANGULAR ± 0.5 DEGREE

**DRAWN:** C LILLY

**CAD SCALE:** NTS

**DRG.NO:** 5010125

**SHEET**  
1 OF 1