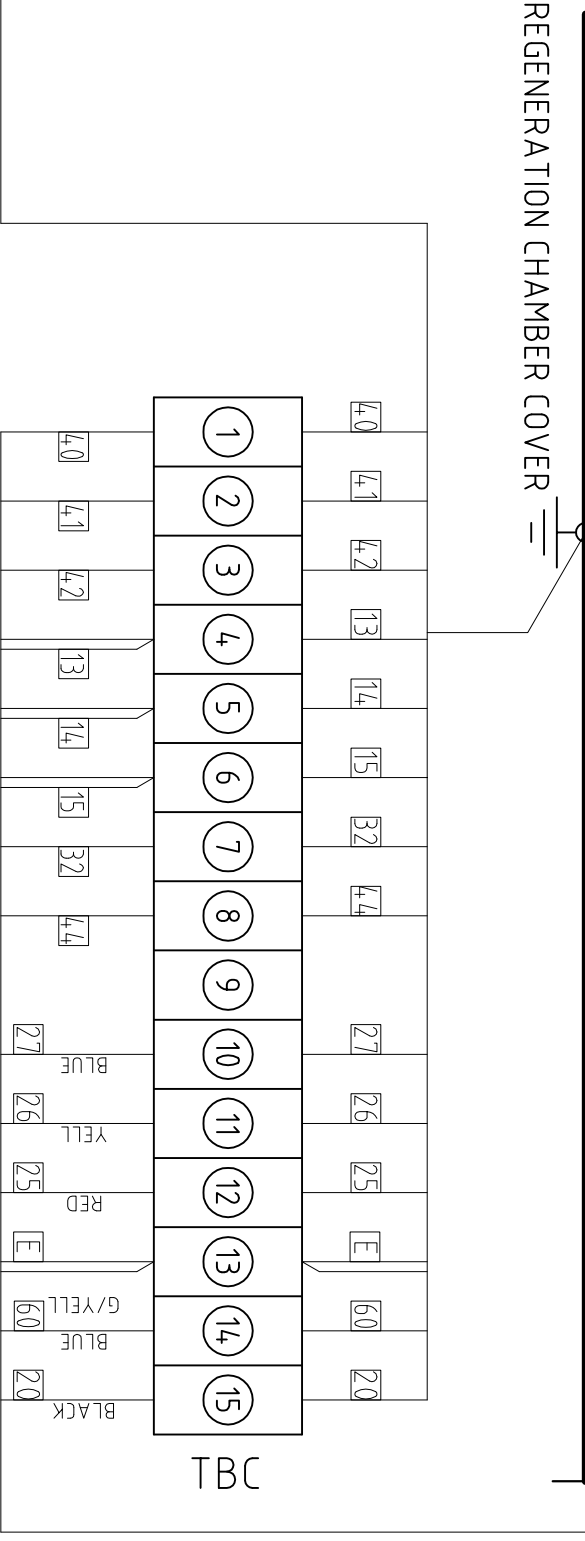
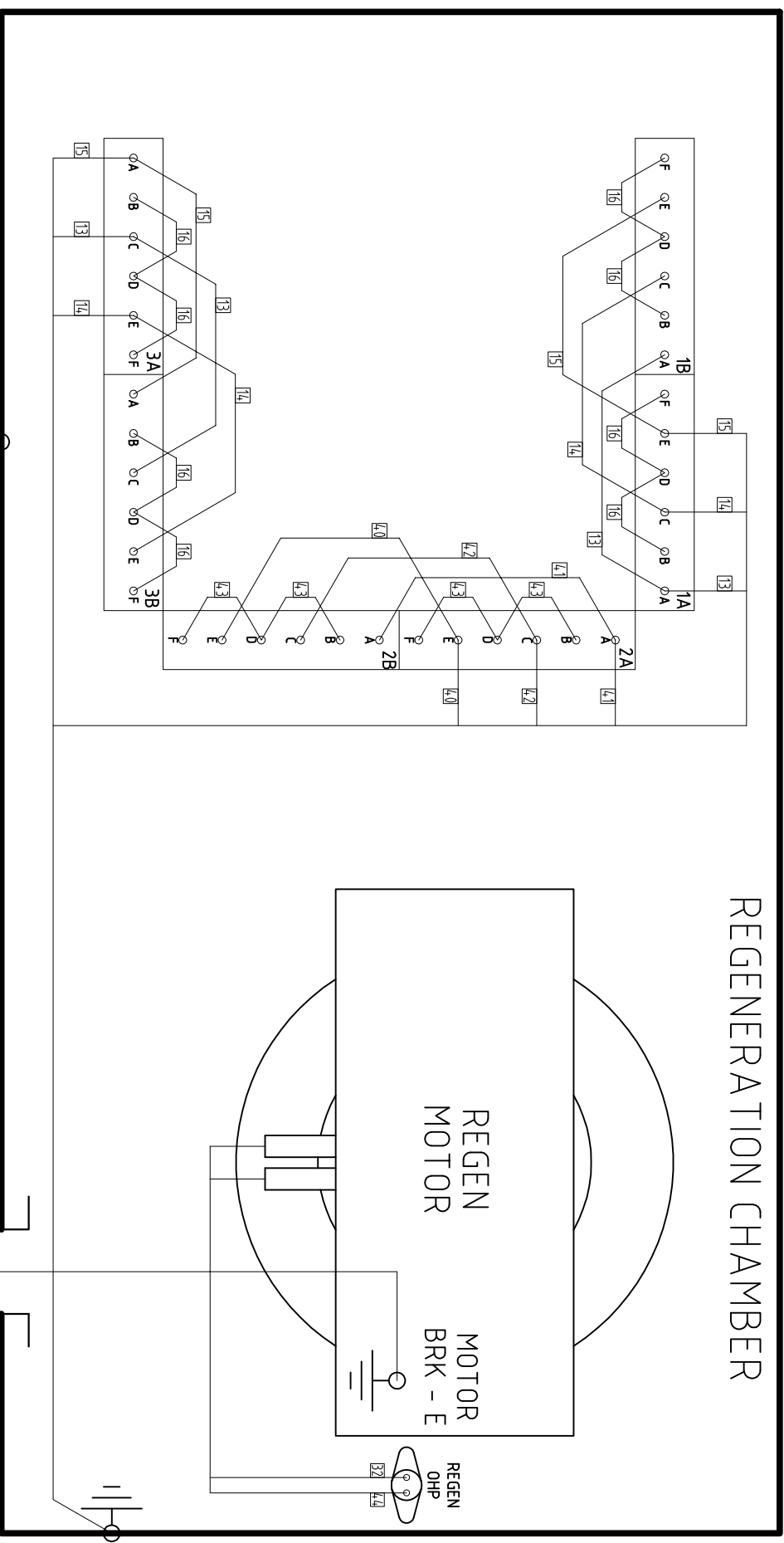
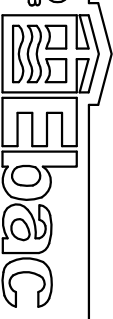




ISSUE	DATE	AMENDMENTS
9	01/05/15	CONTROL BOX VIEW CHANGED - WDA
10	12/05/15	CONTROL BOX VIEW CHANGED - WDA
11	06/11/15	REGEN FAN T/B VIEW UPDATED - WDA
12	18/05/18	DRYING LAMP QTY UPDATED - WDA
13	20/11/18	TX1 LAYOUT UPDATED - WDA





1993  
LIMITED  
BISHOP AUCKLAND  
ENGLAND

**TITLE**  
DD1200 - WIRING DIAGRAM - 460V / 60HZ

**MATERIAL**  
N/A

**FINISH**  
N/A

**3RD ANGLE PROJECTION**  
DO NOT SCALE  
IF IN DOUBT ASK

**DIMENSIONS IN m.m.**  
TOLERANCES UNLESS  
OTHERWISE STATED

0.0  
0.00 ± 0.25  
ANGULAR ± 0.5 DEGREE

**DRG.NO.**  
5010331

**DRAWN :** W DAGLISH  
**CAD SCALE :** N/A

**SHEET**  
2 OF 2