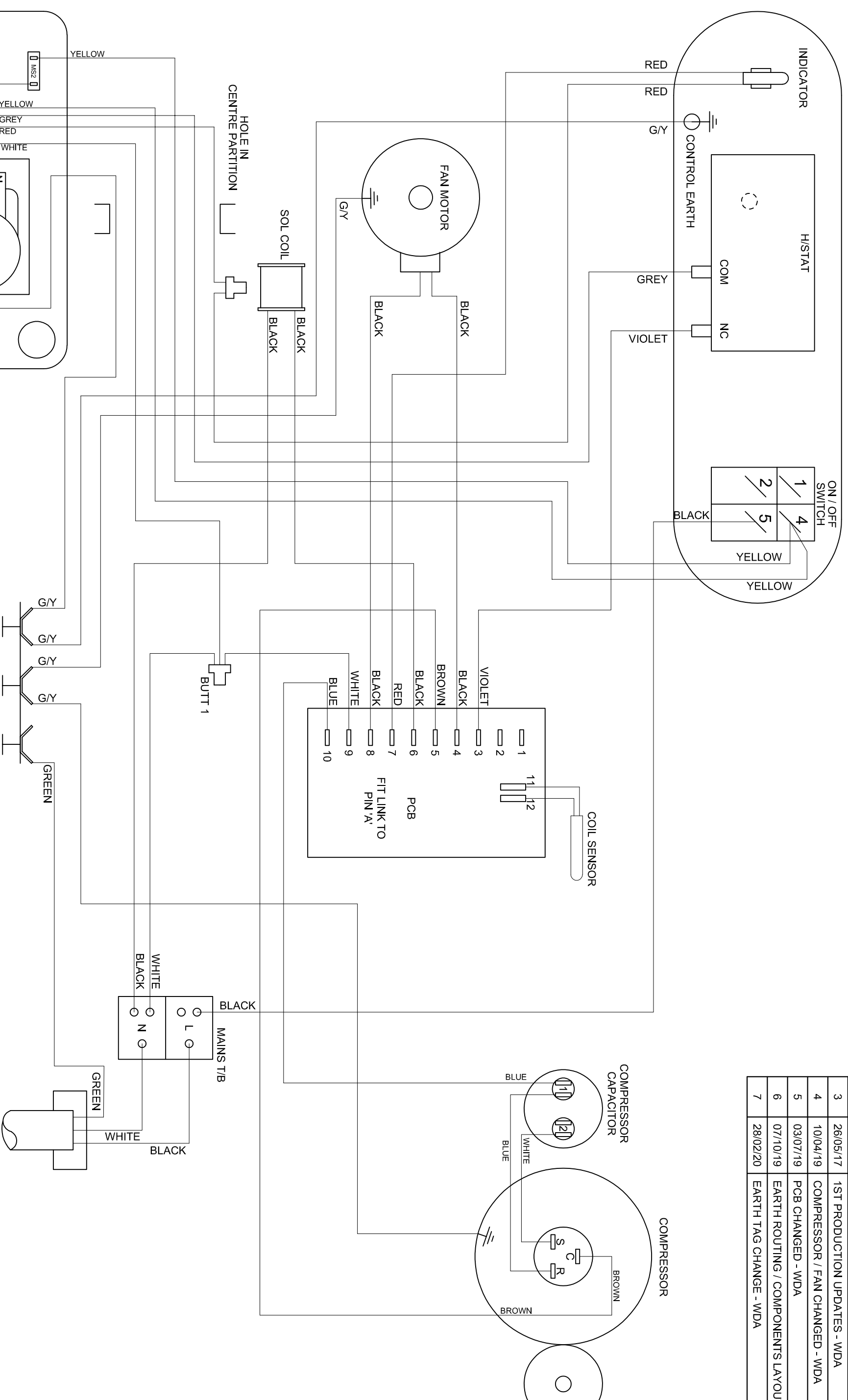


ISSUE	DATE	AMENDMENTS
1	31/01/17	ORIGINAL
2	28/03/17	PILOT BUILD UPDATES - WDA
3	26/05/17	1ST PRODUCTION UPDATES - WDA
4	10/04/19	COMPRESSOR / FAN CHANGED - WDA
5	03/07/19	PCB CHANGED - WDA
6	07/10/19	EARTH ROUTING / COMPONENTS LAYOUT - WDA
7	28/02/20	EARTH TAG CHANGE - WDA



CONDENSATE PUMP

<p>3RD ANGLE PROJECTION DO NOT SCALE IF IN DOUBT ASK</p>		<p>1997 LTD BISHOP AUCKLAND Co. DURHAM ENGLAND</p>		<p>TITLE RM40P - US 110V - DIAGRAM</p>	
<p>DIMENSIONS IN m.m. TOLERANCES UNLESS OTHERWISE STATED</p> <p>0.0 ± 1 0.00 ± 0.25 ANGULAR ± 0.5 DEGREE</p>		<p>MATERIAL SEE DRW</p>		<p>FINISH SEE DRW</p>	
<p>DRAWN: W DAGLISH</p>		<p>CAD SCALE: 1/1</p>		<p>DRG. NO. 5010420</p>	
<p>SHEET 1 OF 1</p>		<p>A 3</p>			