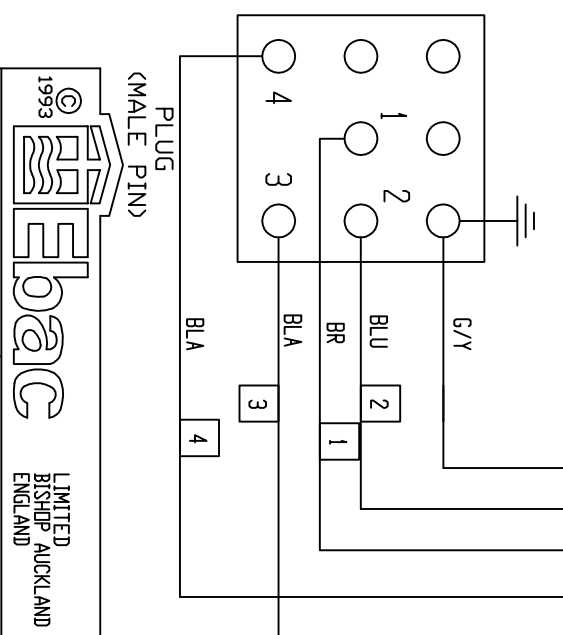
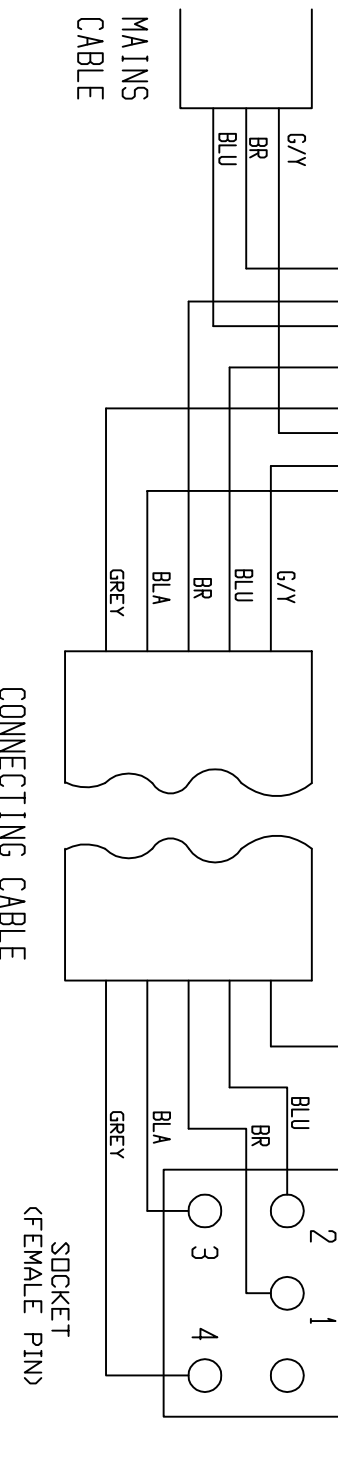
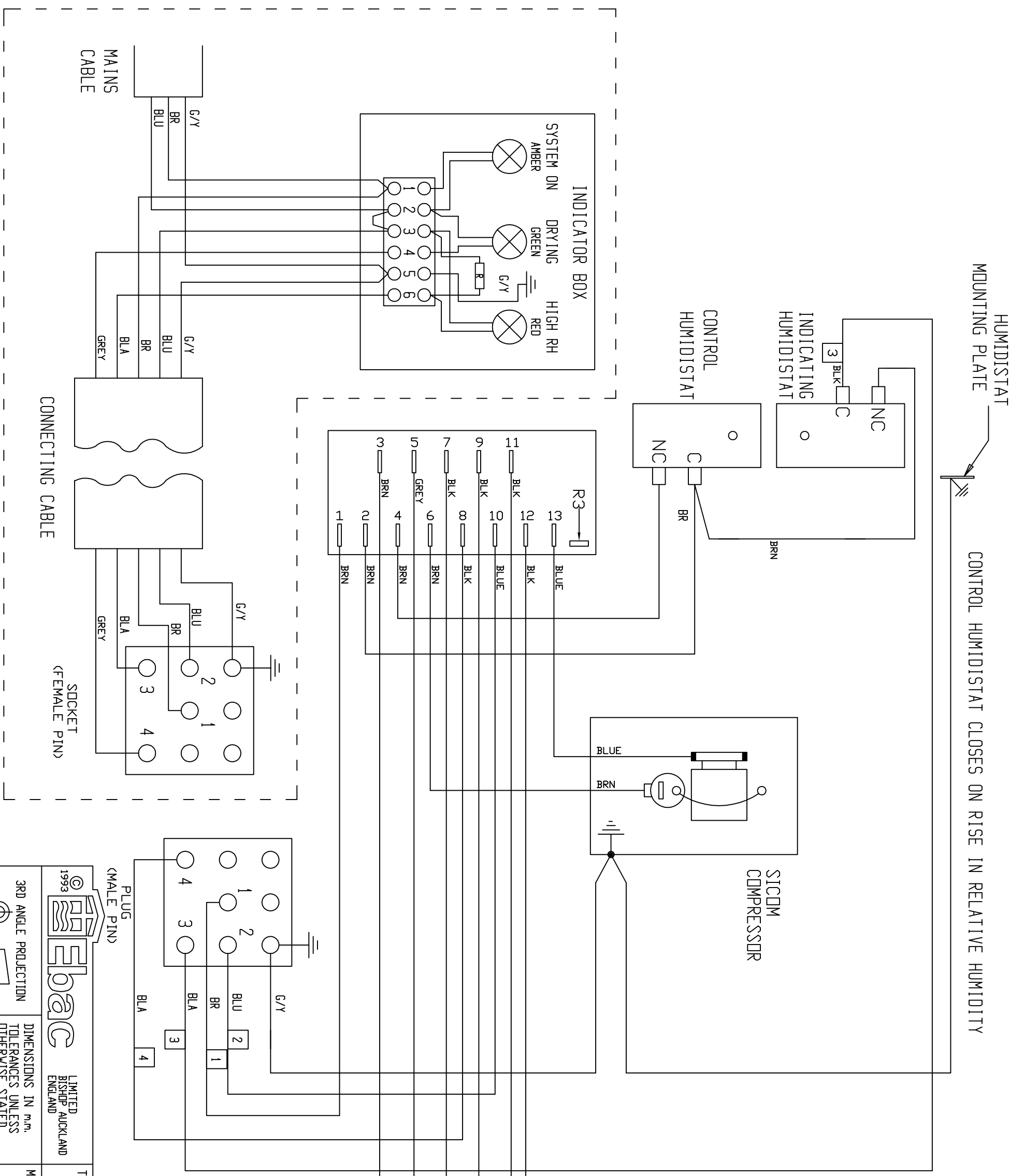


ISSUE	DATE	AMENDMENTS
1	29.06.95	
2	26/01/09	COLOURS ADDED - VDA
3	04/05/10	CONTROL & INDICATING HUMIDISTATS, ORIENTATION CORRECTED - VDA
4	20/02/12	HUMIDISTAT WIRING UPDATED - VDA
5	11/05/12	INDICATOR BOX SEPERATED FROM MAIN UNIT - VDA



1993
EBAC
 LIMITED
 BISHOP AUCKLAND
 ENGLAND

3RD ANGLE PROJECTION
 DD NOT SCALE
 IF IN DOUBT ASK

DIMENSIONS IN mm.
 TOLERANCES UNLESS
 OTHERWISE STATED
 0
 0.0
 0.00
 ANGULAR ± 0.5 DEGREE

TITLE
 WIRING DIAGRAM
 SPP6A - USA 115v 60Hz

MATERIAL
 DRAWN : JG LAVERICK
 CAD SCALE :

FINISH
 DRG.ND
 5012145

SHEET
 1 OF 1