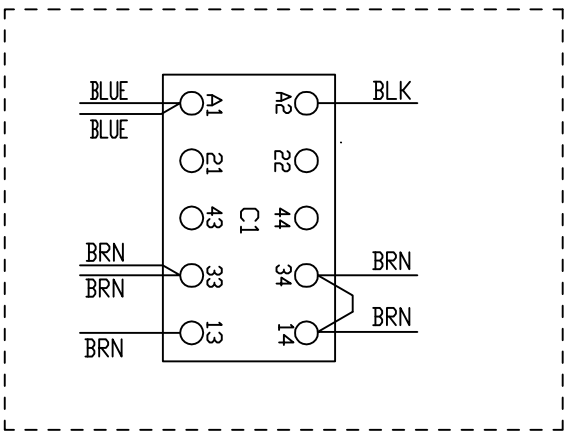
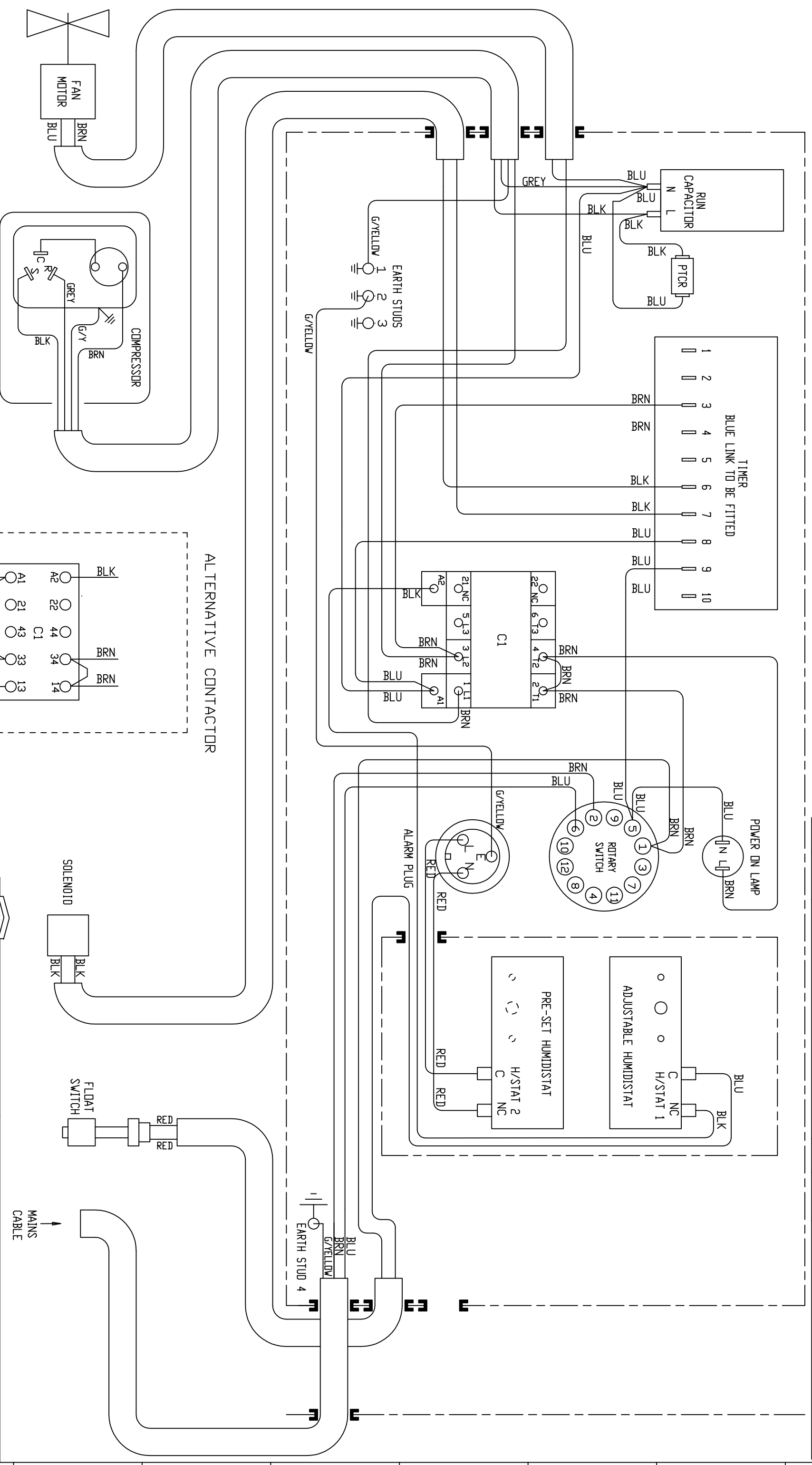


ISSUE	DATE	AMENDMENTS	ISSUE	DATE	AMENDMENTS
1	10/08/95	ORIGINAL	5	28/08/09	CONTACTOR TURNED UPSIDE DOWN - VDA
2	06/05/08	HEATER TAPE REMOVED - VDA	6	06/10/09	4 CORE CABLE NOW HAS GREY CORE INSTEAD OF BLUE - VDA
3	06/05/08	ALTERNATIVE CONTACTOR ADDED - VDA	7	27/11/09	PTCR ADDED - WDA
4	06/04/09	ALTERNATIVE CONTACTOR SWITCHED WITH ACTUAL CONTACTOR - VDA	8	27/04/12	HUMIDISTAT UPDATE - VDA



1993

1993
 LIMITED
 BISHOP AUCKLAND
 ENGLAND

3RD ANGLE PROJECTION

 DO NOT SCALE
 IF IN DOUBT ASK

DIMENSIONS IN mm
 TOLERANCES UNLESS OTHERWISE STATED

0	± 1
0.0	± 0.25
0.00	± 0.05
ANGULAR	± 0.5 DEGREE

TITLE
 WIRING DIAGRAM
 FOR CD100E

MATERIAL

FINISH

DRAWN: SR.LILLY
CAD SCALE: -----

DRGNO: 5012146
SHEET: 1 OF 1