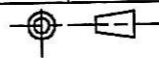
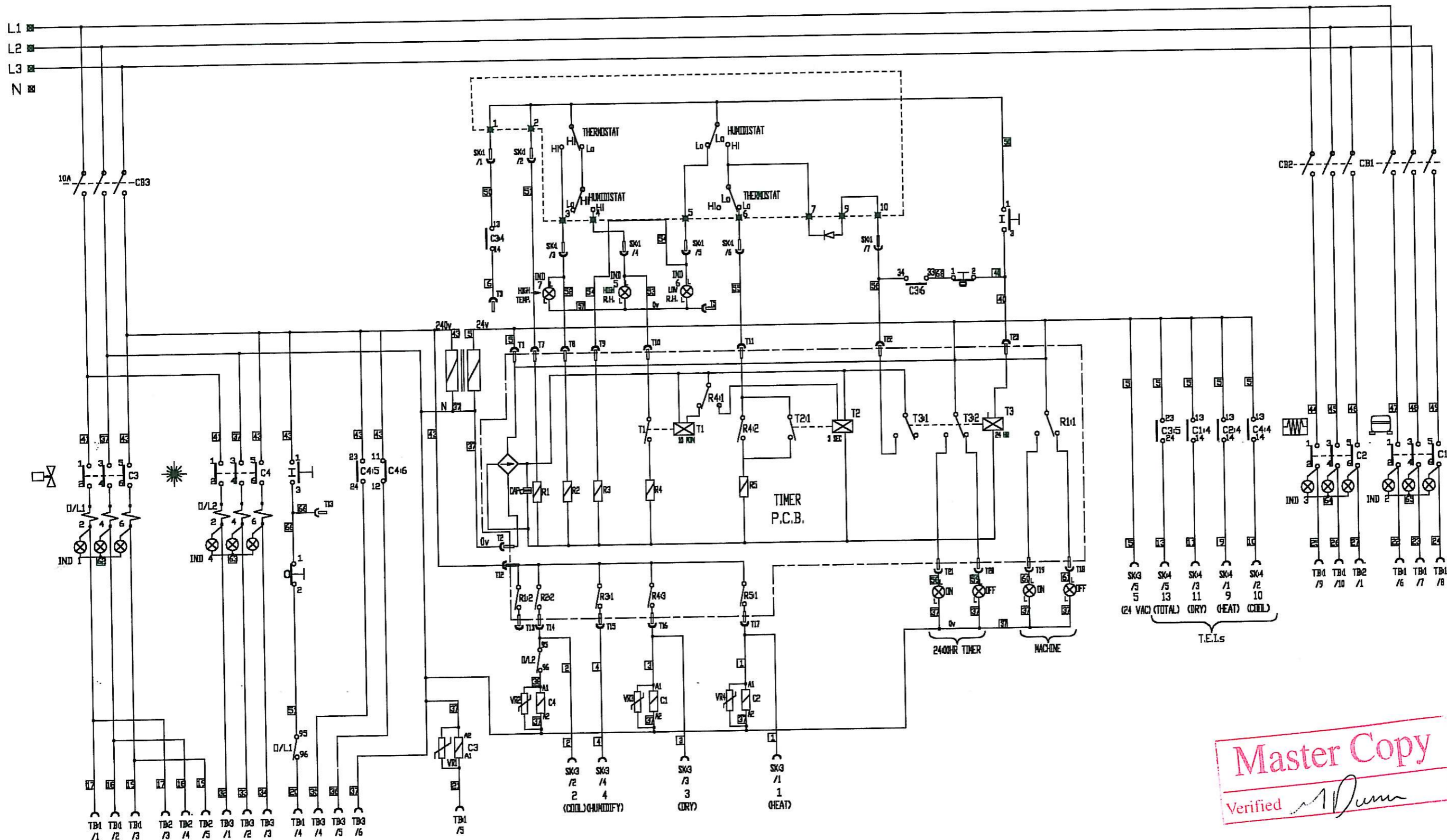


3RD ANGLE PROJECTION



IF IN DOUBT ASK



Master Copy
Verified *[Signature]*

DRG: 5020351

INSPECTION PROCEDURE	ISS.	1	2	3					
	DATE	30.3.88	7.7.88	4.8.88					
	C/N								
	MATERIAL	FINISH		TOLERANCE UNLESS STATED +/- 0.5 DIMENSIONS IN mm.					

Ebac Limited

TITLE
WIRING SCHEMATIC
MCU 1002 (220v.3.50/60)

DRAWN STOMPSON	CHECKED	APPROVED	SCALE
SECURITY CLASSIFICATION			
DRG.No. 5020351			