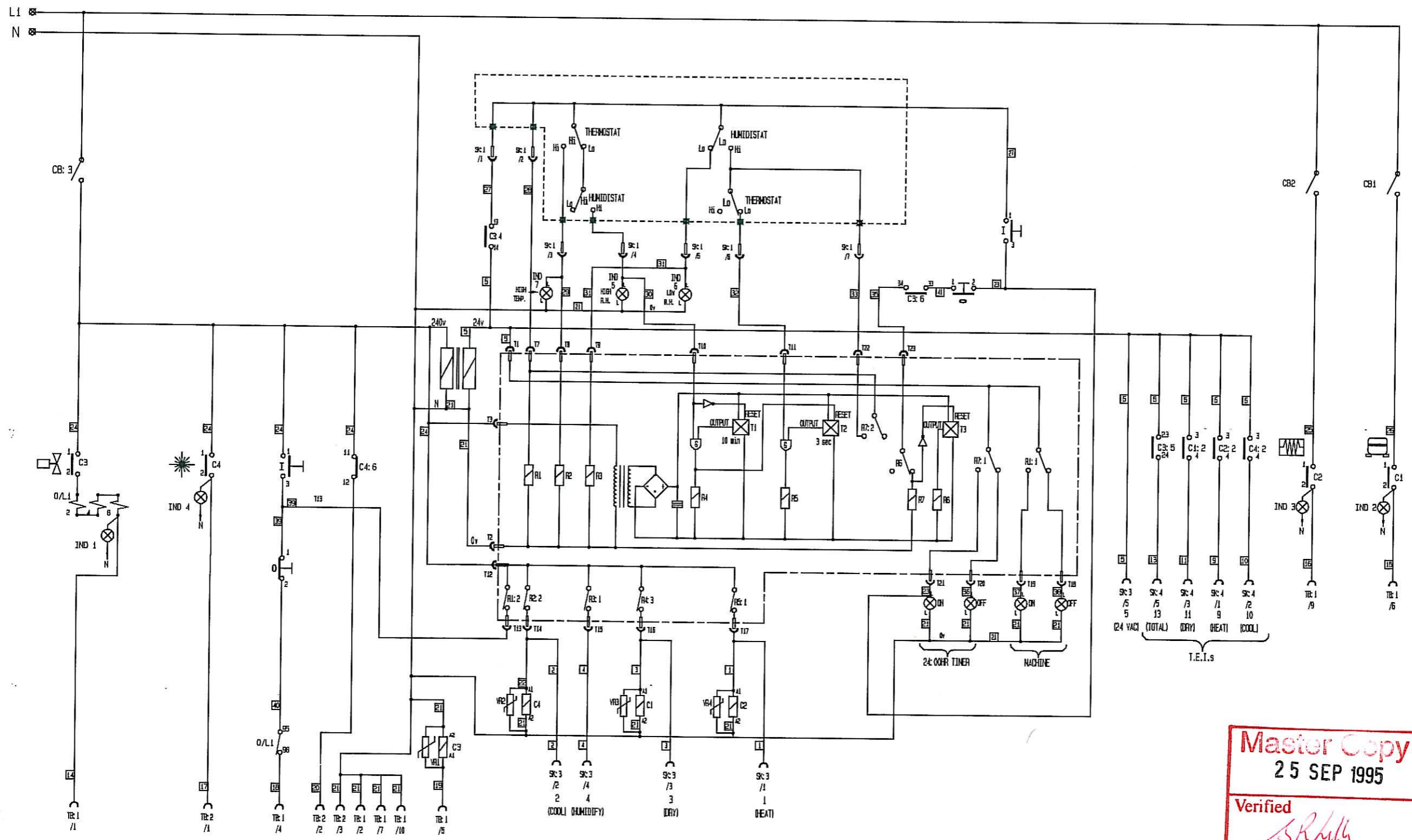


3RD ANGLE PROJECTION

IF IN DOUBT ASK



Master Copy
 25 SEP 1995
 Verified
S.R. Kelly

DRG. No. 5020354

INSPECTION PROCEDURE	ISS.	1	2	3						
	DATE	1.7.88	4.10.88	15-11-88						
	C/N			P.O.T						
	MATERIAL	FINISH		TOLERANCE UNLESS STATED +/- 0.5 DIMENSIONS IN m.m.						

Ebac Limited

DRAWN	CHECKED	APPROVED	SCALE
S. THOMPSON			

SECURITY CLASSIFICATION

DRG. No. 5020354

TITLE
 WIRING SCHEMATIC
 MCU. 1002. (220.1.60)

A33