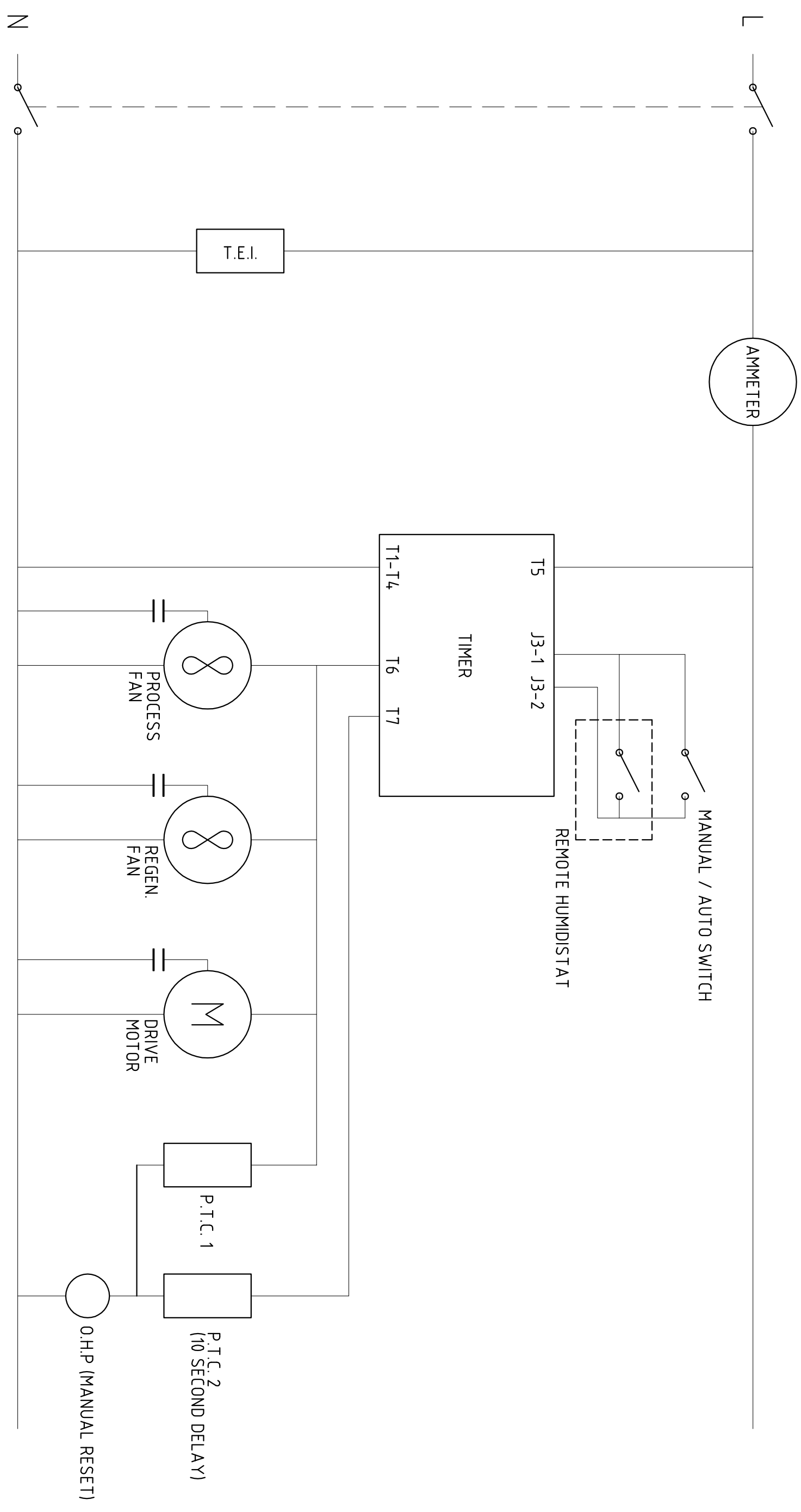
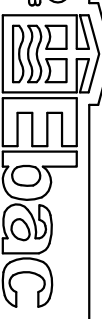


ISSUE	DATE	AMENDMENTS
1	25/11/09	ORIGINAL




 LIMITED
 BISHOP AUCKLAND
 ENGLAND

TITLE
2.5KW DESICCANT - US SCHEMATIC

3RD ANGLE PROJECTION
 DO NOT SCALE
 IF IN DOUBT ASK

DIMENSIONS IN m.m.
 TOLERANCES UNLESS
 OTHERWISE STATED
 0.0 ± 0.25
 0.00 ± 0.05
 ANGULAR ± 0.5 DEGREE

MATERIAL	N/A	FINISH	N/A
DRAWN : W DAGLISH		CAD SCALE :	N/A
DRG.NO.	5020301	SHEET	1 OF 1