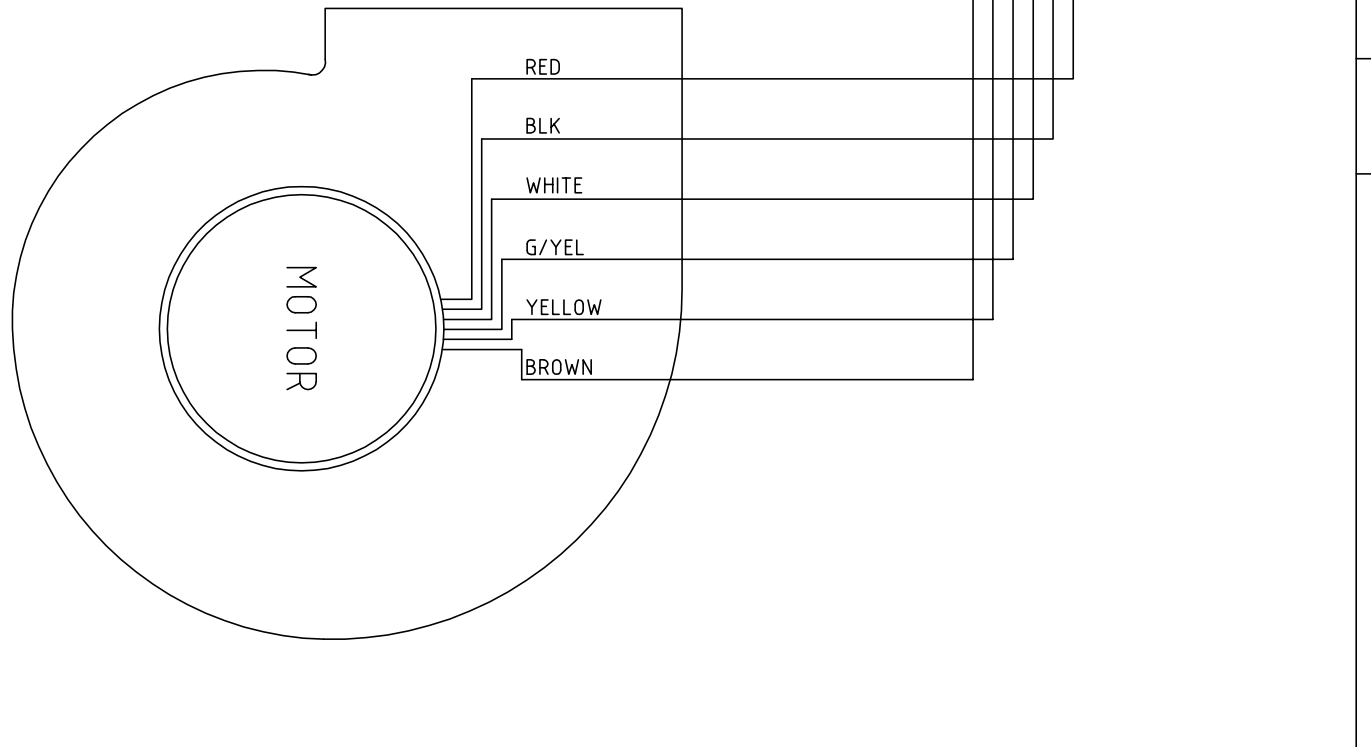
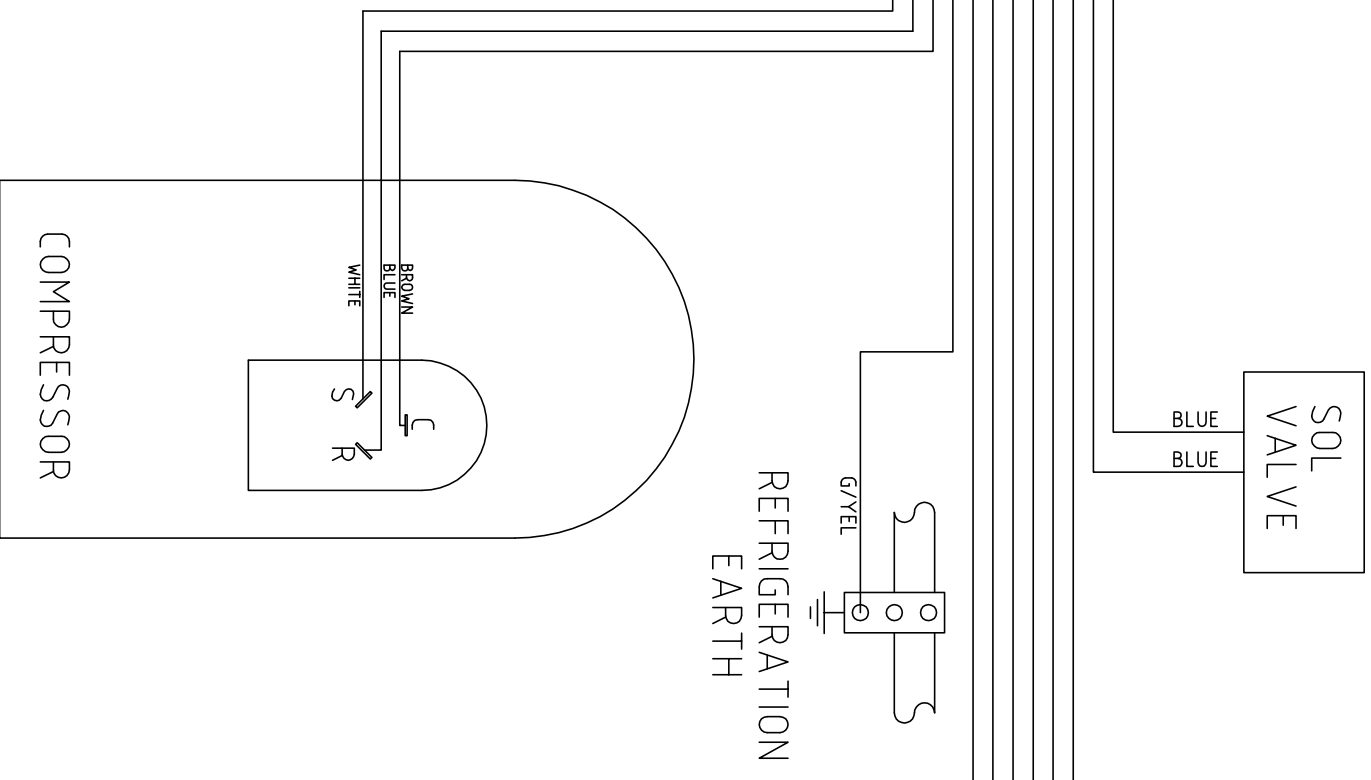
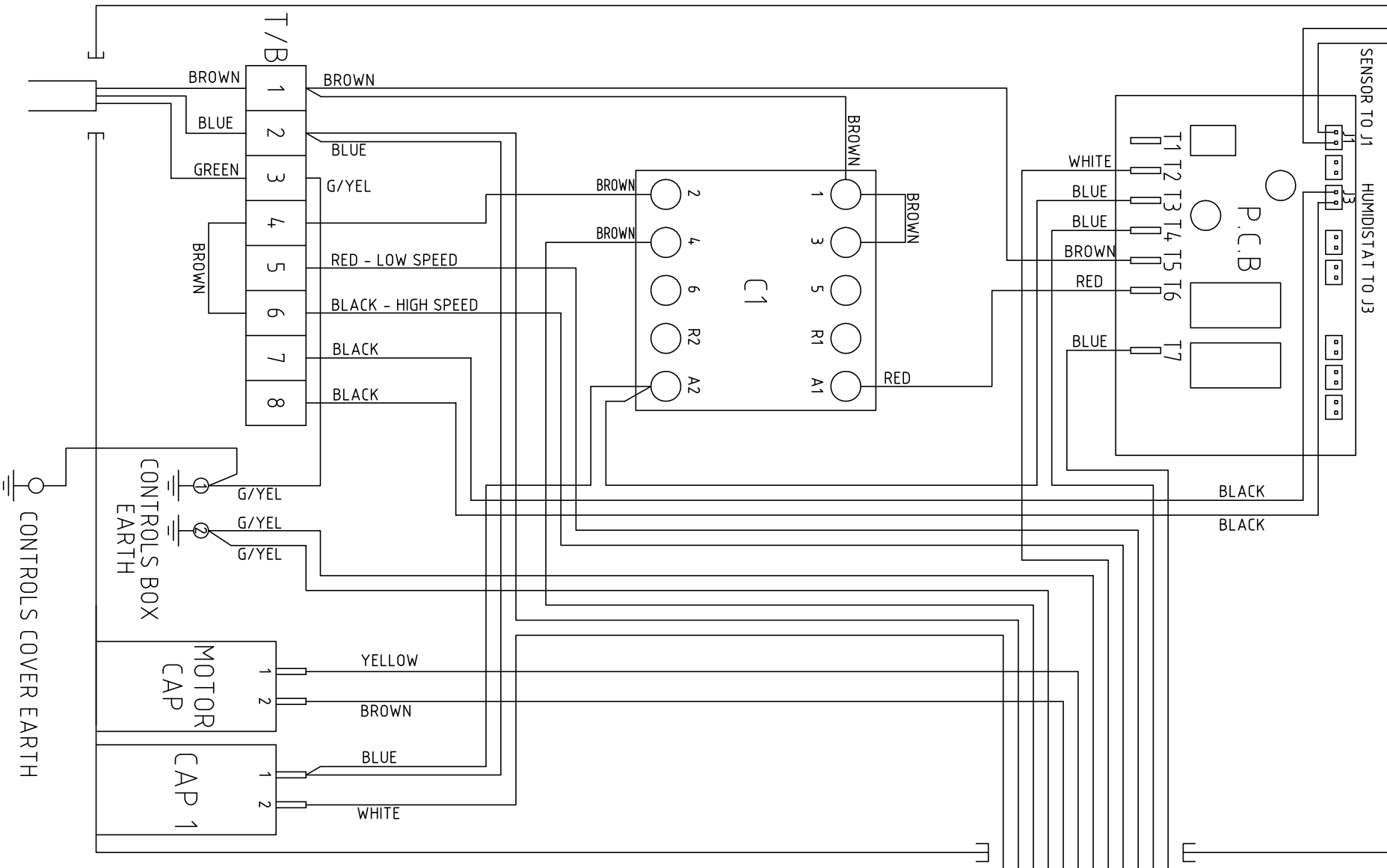


EVAP COIL
SENSOR

ISSUE	DATE	AMENDMENTS
1	07/03/08	ORIGINAL
2	14/05/08	MOTOR CAPACITOR MOVED - WDA
3	22/10/08	COLOURS CORRECTED - WDA
4	07/11/08	MAINS CABLE COLOURS AMENDED - WDA



1993 **EBAC** LIMITED BISHOP AUCKLAND ENGLAND

3RD ANGLE PROJECTION
DO NOT SCALE
IF IN DOUBT ASK

DIMENSIONS IN m.m.
TOLERANCES UNLESS OTHERWISE STATED
0.0 ± 0.25
0.00 ± 0.05
ANGULAR ± 0.5 DEGREE

TITLE	PD200 WIRING DIAGRAM
MATERIAL	N/A
FINISH	N/A
DRG.NO.	5016182
CAD SCALE	N/A
DRAWN	W DAGLISH
SHEET	1 OF 1

